



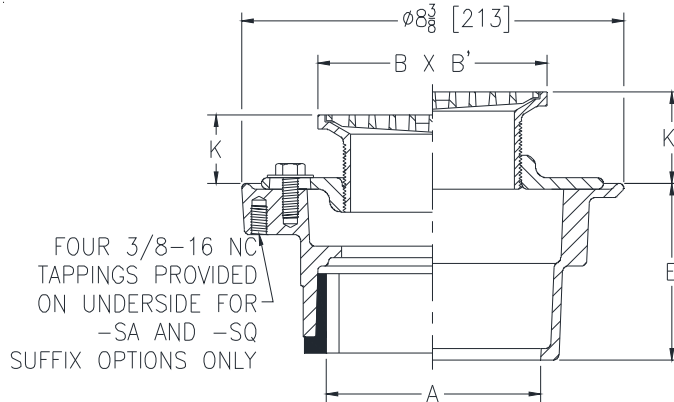
Z415S

BODY ASSEMBLY W/ "TYPE S" STRAINER

SPECIFICATION SHEET

TAG _____

Dimensional Data (inches and [mm]) are Subject to Manufacturing Tolerances and Change Without Notice



Dimensions In Inches [mm]						Approx. Wt. Lbs. [kg]	Strainer Open Area Sq. In. [cm ²]
A Pipe Size	B x B' Strainer Top Size	K		K'			
		Min.	Max.	Min.	Max.		
2, 3, [51, 76]	5 x 5 [127 x 127]	1 [25]	1-19/32 [40]	1-1/4 [32]	2-3/8 [60]	12 [5]	9 [58]
2, 3, 4 [51, 76, 102]	6 x 6 [152 x 152]	1 [25]	1-27/32 [47]	1-13/32 [36]	2-19/32 [66]	13 [6]	13 [84]
2, 3, 4 [51, 76, 102]	7 x 7 [178 x 178]	1 [25]	1-7/8 [48]	1-3/8 [35]	2-5/8 [67]	14 [6]	21 [135]
3, 4 [76, 102]	8 x 8 [203 x 203]	1-3/32 [28]	1-7/8 [48]	1-3/4 [44]	2-5/8 [67]	15 [7]	28 [181]
6 [152]	10 x 10 [254 x 254]	1-3/32 [28]	1-7/8 [48]	1-3/4 [44]	2-5/8 [67]	21 [10]	28 [181]

ENGINEERING SPECIFICATION: ZURNZN415S

Floor and shower drain, Dura-Coated cast iron body with bottom outlet, combination invertible membrane clamp and adjustable collar with seepage slots and "TYPE S" polished nickel bronze, square heel-proof, light-duty strainer.

OPTIONS (Check/specify appropriate options)

PIPE SIZE

- 2, 3, 4 [51, 76, 102]
- 2, 3, 4 [51, 76, 102]
- 2 [51]
- 3 [76]
- 4 [102]
- 6 [152]
- 2, 3, 4 [51, 76, 102]
- 2, 3, 4 [51, 76, 102]

(Specify size/type) OUTLET

- _____ IC Inside Caulk
- _____ IG Inside Gasket
- _____ IP Threaded
- _____ IP Threaded
- _____ IP Threaded
- _____ IP Threaded
- _____ NH No-Hub
- _____ NL Neo-Loc

'E' BODY HT. DIM.

- 4-3/16 [106]
- 4-3/16 [106]
- 2-7/16 [62]
- 2-3/4 [70]
- 2-13/16 [71]
- 2-7/8 [73]
- 3-13/16 [97]
- 3-7/8 [98]

PREFIXES

- _____ ZB D.C.C.I. Body Assembly w/ Polished Bronze Top
- _____ ZN D.C.C.I. Body Assembly w/ Polished Nickel Bronze Top*

SUFFIXES

- _____ -AR Acid Resisting Epoxy Coated Cast Iron
- _____ -CP Chrome-Plated Top
- _____ -G Galvanized Cast Iron
- _____ -HD Heavy-Duty Grate (ZN 6 x 6 [152 x 152] Only)
- _____ -OF Oval Funnel (See Z329-7) (6,7,8,10 [152,178,203,254] Strainers only)
- _____ -P Trap Primer Connection (Specify 1/2 [13] or 3/4 [19])
- _____ -PC Protective Cover
- _____ -SA Stabilizer Assembly (See Z1035)
- _____ -SQ Stabilizer Q-Deck (See Z1035-Q)
- _____ -TC Neo-Loc Test Cap Gasket (2,3,4 [51,76,102] NL Outlet Only)
- _____ -U 1-3 [25-76] High Extension Adapter
- _____ -V Backwater Valve
- _____ -VP Vandal-Proof Secured Top
- _____ -Y Sediment Bucket
- _____ -4 4 [102] Diameter Funnel (Z328)
- _____ -90 90° Threaded Side Outlet Body Assembly (2,3 [51,76] Only)

* Regularly furnished unless otherwise specified.